

**GENERAL NOTES:**

1. CUSTOM HURRICANE PRODUCTS, INC. ROLL DOWN WESH IMPACT SCREEN PRODUCT LINE SYSTEM, HAS BEEN DESIGNED AND TESTED IN ACCORDANCE WITH FLORIDA BUILDING CODE 2010 CHAPTER 16 FOR WASH WESH IMPACT NOT INCLUDING WITH THE HIGH VELOCITY HURRICANE ZONE, AND MEETS THE MINIMUM REQUIREMENTS FOR ASIM E1806 FOR OUTSIDE OF HIGH VELOCITY HURRICANE ZONES. ALLOWABLE WIND LOADS SHALL BE IN ACCORDANCE WITH ASCE 7-10 AND FOR A BASIC WIND SPEED AS REQUIRED BY THE JURISDICTION WHERE THE ROLL DOWN WESH IMPACT SCREENS WILL BE INSTALLED.
2. TESTED PER ASIM E1806-06, ASIM E1806-05, AND ASIM E330-02 WITH MISSILE IMPACTS CORRESPONDING TO MISSILE LEVEL E AND WIND ZONE 1, 2, 3, AND 4 TO MEET IMPACT DEFLECTION AND FAILURE RESISTANCE PER FCIBSR.1,2
3. UNIT WIDTH OR THE DISTANCE BETWEEN SUPPORTED SIDES SHOWN IS MAXIMUM ALLOWABLE WITHOUT SIDE-SPECIFIC ENGINEERING. HEIGHT IS UNLIMITED.
4. NO ALLOWABLE STRESS HURRICANE HAS BEEN USED IN THE DESIGN OF THE ROLL DOWN WESH IMPACT SCREEN.
5. ANCHORING OF SIDE RAILS SHALL BE WITH 5/16" x 3/8" OR 1/2" DIAMETER 6" O.C. WITH MIN. 2-1/4" EMBED. INSTALLATION OF 5/16" x 3/8" OR 1/2" x 3/4" SIZES SHALL BE INTO CMU OR GROUT FILL CONCRETE. ANCHORAGE OF EXISTING STRUCTURE SHALL BE DETERMINED BY OTHERS.
6. THE PRODUCT EVALUATION OCCUPANT AND INSTALLATION INSTRUCTIONS ARE GENERIC AND DOES NOT PROVIDE INFORMATION FOR SITE SPECIFIC PROJECTS INVOLVING OCCUPANT FROM THESE DOCUMENTS AND INSTALLATION INSTRUCTIONS. ALL SITE SPECIFIC PROJECTS SHALL REQUIRE A FLORIDA REGISTERED PROFESSIONAL ENGINEER SEAL WHOSE SEAL SHALL HAVE ALL RESPONSIBILITIES OF THE PRODUCT.
7. RAIL SCREEN FABRIC SHALL BE UN. 27-41L
8. RAIL SCREEN FABRIC SHALL HAVE POROSITY <= 10K.
9. SET SHEET 2 FOR FABRIC SPECIFICATIONS.
10. MAX. ALLOWABLE DESIGN PRESSURES SHALL NOT EXCEED +/- 75 psf.
11. THE PRODUCT SHALL BE LABELED IN ACCORDANCE WITH FBC - 1702.5
12. SEE SHEET 5-10 FOR MAXIMUM SPANS AND LOADS OF FABRIC BASED ON RATIONAL ANALYSES FOR PRESSURES LESS THAN +/- 75 PSF AND SPANS GREATER THAN 17'-2 3/4"

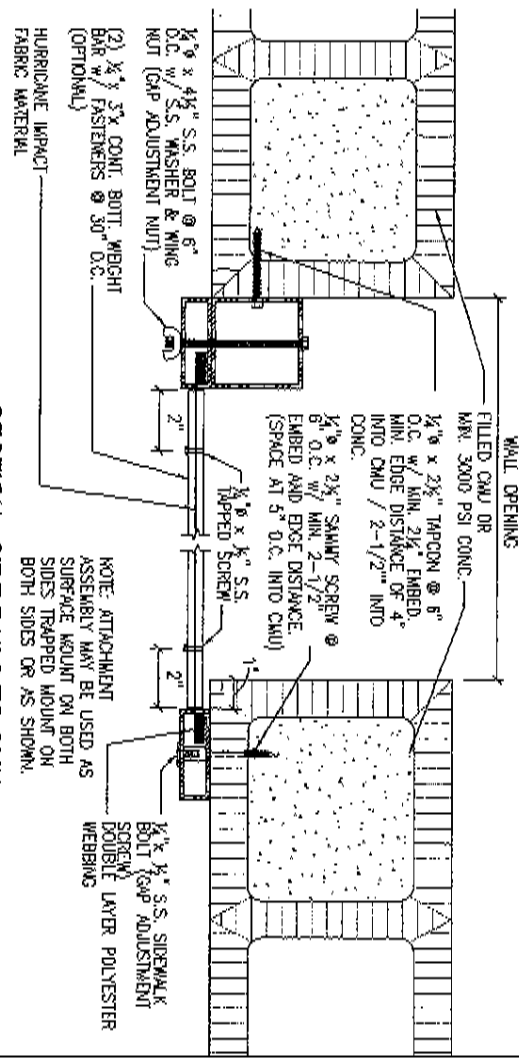
**PRODUCT LABEL:**

CUSTOM HURRICANE PRODUCTS  
 2024 South Lee Creek East  
 Bradenton, FL 34203  
 THIS PRODUCT SHALL BE INSTALLED AND USED ONLY AS INTENDED PER THE INSTALLATION INSTRUCTIONS. THIS PRODUCT DOES NOT MEET ASIM D1819, ASIM E34, ASIM D256, ASIM D635, ASIM 1000, OR ASIM D19, ASIM D2526, ASIM D256  
 FLORIDA PRODUCT APPROVAL: F14163801  
 TEST STANDARDS: ASIM E1806-06, ASIM E1806-05, ASIM E330-02  
 OPENING & \_\_\_\_\_  
 DO NOT REMOVE LABEL

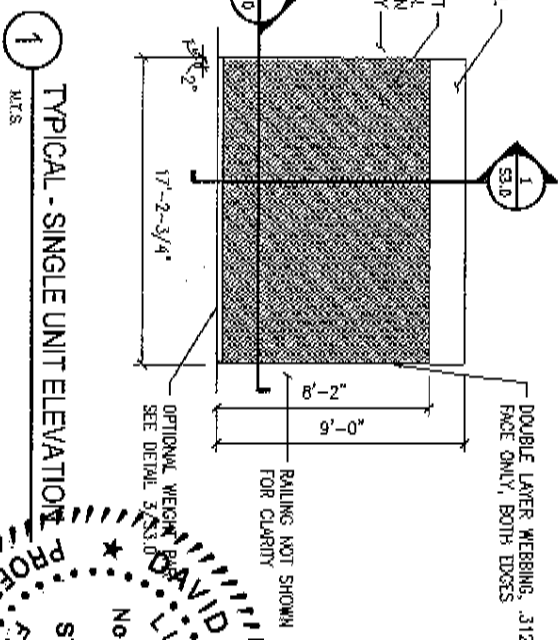
**GLASS SEPARATION + SCREEN DETAIL TABLE**

WIND SPEED (MPH)	30"	36"	312"	288"	258"	240"	222"	207"	180"	168"	121"	108"	84"	OR LESS
SEPARATION DISTANCE BETWEEN PROTECTED GLAZING AND SCREENS AT ZONE 1 AND ESSENTIAL BUILDINGS	34"	31"	27"	25"	23"	21"	20"	18"	14"	12"	10"			8"
MAXIMUM WIND PRESSURE (PSF)	35	40	45	50	55	60	65	70	75	75	75	75	75	75

SPANS GREATER THAN 207' ARE BASED ON RATIONAL ANALYSIS



**SECTION - SIDE RAILS TO CMU**  
 N.T.S.



**TYPICAL - SINGLE UNIT ELEVATION**  
 N.T.S.

DAVID G. KAPLAN  
 LICENSED PROFESSIONAL ENGINEER  
 STATE OF FLORIDA  
 No. 005267  
 2013-04-12

MAY 28 2013

**CUSTOM HURRICANE PRODUCTS**  
**"SUPER MAX" SCREEN**

Project Name: \_\_\_\_\_

DATE: 2013-04-12

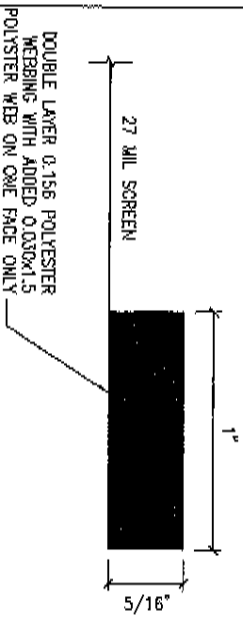
SEE SHEET: \_\_\_\_\_

DATE: 2013-04-12

FABRIC PROPERTIES				
PROPERTY	TEST METHOD	WARP	FILL	TYPICAL
CONSTRUCTION	ASTM D-3375	22.0+/-5	13.5+/-5	
WEIGHT, OZ/ND <sup>2</sup>	ASTM D-3376			19.524
TENSILE STRENGTH (GRAB), LBF	ASTM D-9034	771.3	748.9	
TENSILE STRENGTH (STRIP), LBF	ASTM D-5035	416.7	251.4	
TEAR STRENGTH, LBF	ASTM D-1117	161.6	285.0	
ELONGATION, %	ASTM D-5035	42.8	12.3	
ABRASION RESISTANCE	ASTM D-3884			
WEATHERABILITY, 1200 HRS	ASTM G-53			
BALL BURST, LBF	ASTM D-3767			480+
BURSTING STRENGTH, PSI	ASTM D-3786			1250+
PUNCTURE RESISTANCE, LBF	ASTM D-4833			364

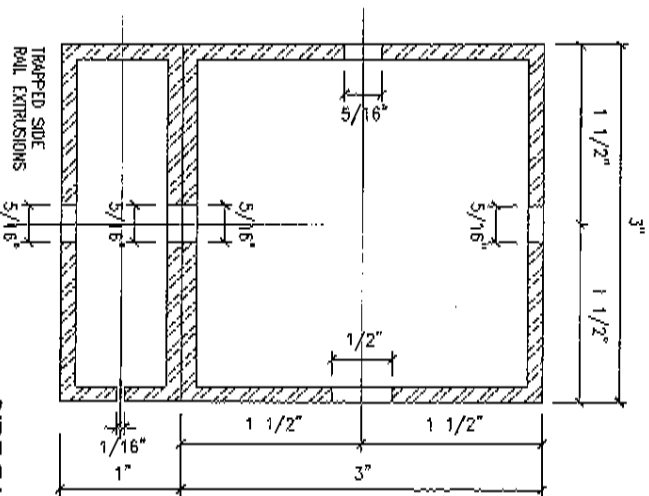
THE ABOVE MATERIAL PROPERTIES ARE FOR A 0.027" DIAMETER VINYL COATED 1500 DENIER POLYESTER CORE YARNS IN WARP AND 0.027" DIAMETER VINYL COATED 2000 DENIER TWARON CORE YARNS IN FILL. BLACK OR TAN COLORED FABRIC PRODUCED BY MITCHELL CORPORATION.

POROSITY CALCULATION - BK OPEN

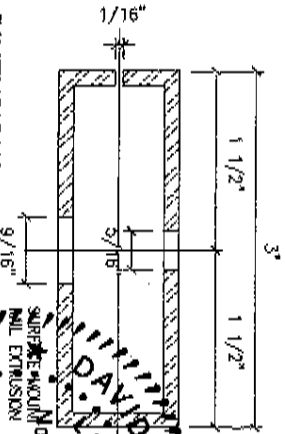


DOUBLE LAYER 0.156 POLYESTER WEBBING WITH ADDED 0.030X1.5 POLYESTER WEB ON ONE FACE ONLY

**2** SIDE RAIL CONNECTIONS  
SCALE: NTS



**1** SIDE RAIL DIMENSIONS  
SCALE: NTS



ALL ALUMINUM EXTRUSIONS TO BE 1/8" THICKNESS AND 6063

DAVID G. WILKINS  
PROFESSIONAL ENGINEER  
STATE OF FLORIDA  
No. 00522  
SUPERIOR ENGINEERING, INC.  
10000 W. UNIVERSITY BLVD., SUITE 100  
DADE COUNTY, FL 33148  
TEL: 305-447-1111  
WWW.SUPERIORENGINEERING.COM

**K** Kuma  
Kuma Engineering  
Company, Inc.  
11 East of Lake Street  
Suite 100  
Tomball, TX 77375  
Tel: 281-498-4444  
Fax: 281-498-4444  
www.kuma.com

Project Name: CUSTOM HURRICANE PRODUCTS "SUPER MAX" SCREEN

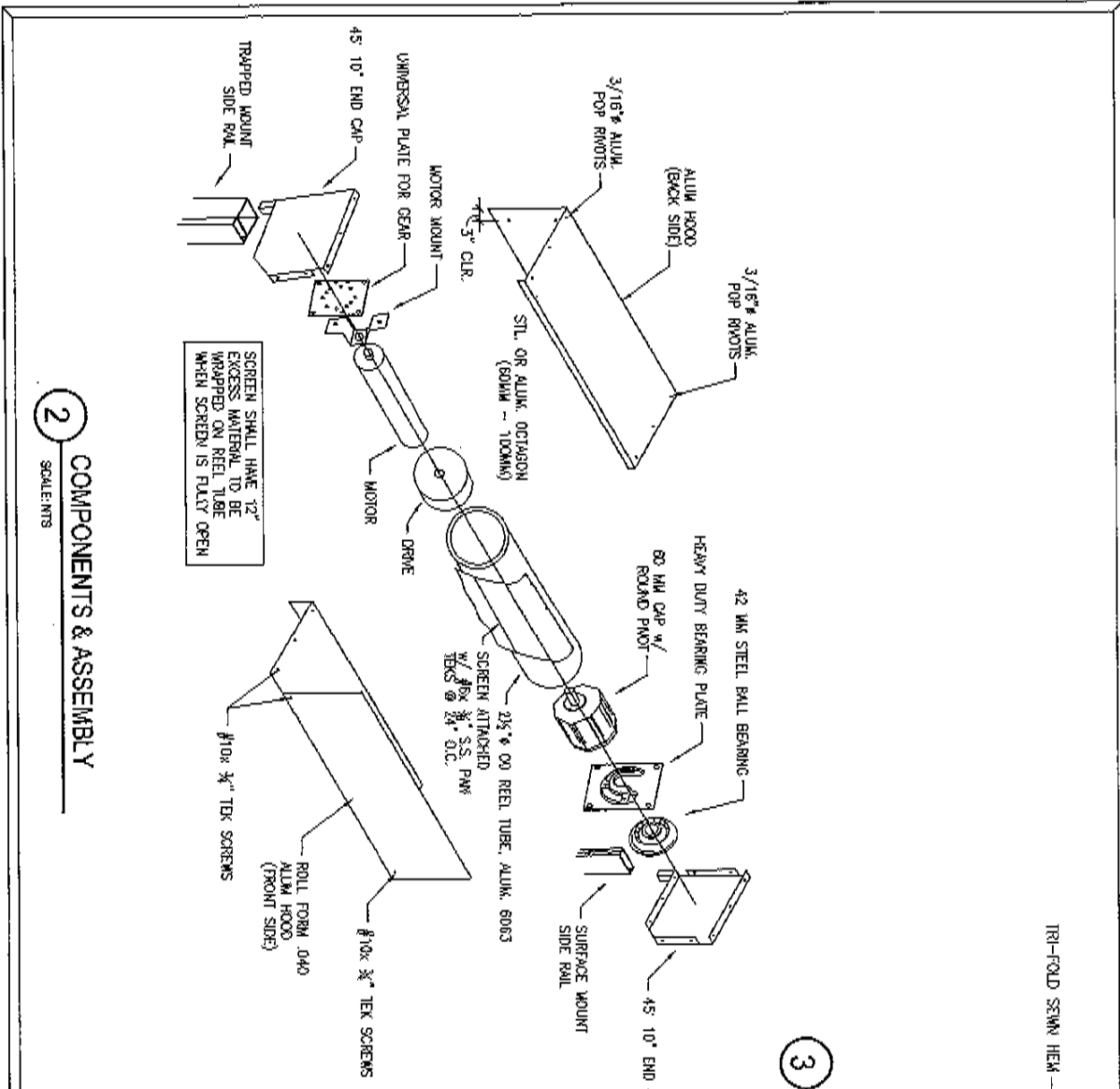
Client: GAT

Scale: 1/8"

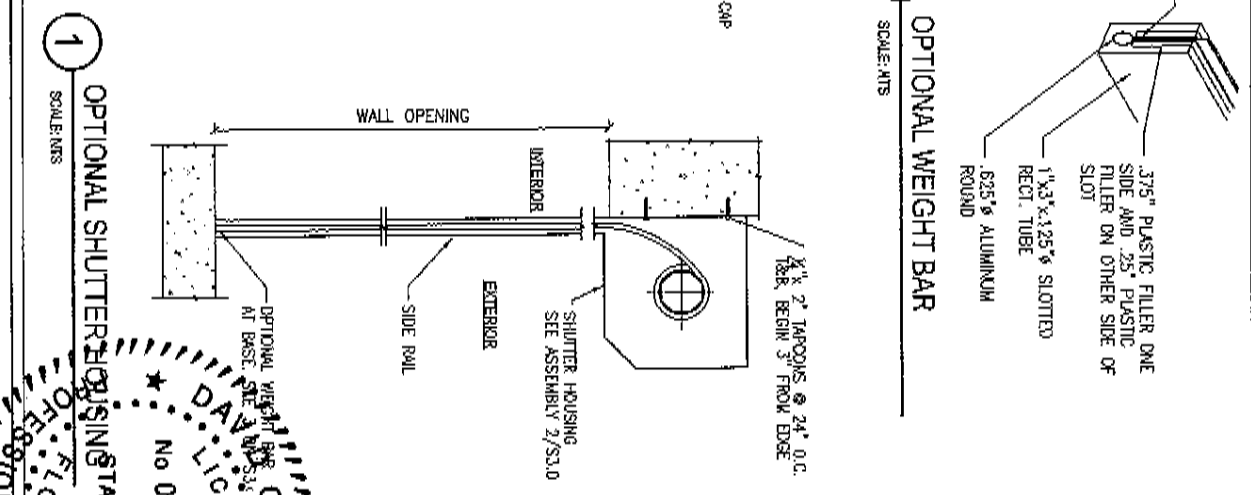
Rev: 0803-0367

SEE SHEET 2013-03-12

MAY 28 2013



**2** COMPONENTS & ASSEMBLY  
SCALE: NTS



**3** OPTIONAL WEIGHT BAR  
SCALE: NTS

**1** OPTIONAL SHUTTER ASSEMBLY  
SCALE: NTS

<p>Project Name: <b>CUSTOM HURRICANE PRODUCTS "SUPER MAX" SCREEN</b></p>	
<p>Sheet: <b>GA1</b></p>	<p>Scale: <b>1/8"</b></p>
<p>Date: <b>08/05/08</b></p>	<p>By: <b>SEE SHEET</b></p>
<p>Rev: <b>2013-10-12</b></p>	<p>Drawn by: <b>SEE SHEET</b></p>

**DAVID G. KAY**  
LICENSED PROFESSIONAL ENGINEER  
No. 0056677  
STATE OF FLORIDA

**K**  
Kortus  
Engineering Group, Inc.

MAY 28 2013

LOADS ON STRUCTURE		
W	TENSION	MAX. PRESSURE
5'-0"	500 #/FT	1700 #/FT 35 PSF
10'-0"	600 #/FT	1750 #/FT 40 PSF
15'-0"	600 #/FT	1700 #/FT 45 PSF
20'-0"	800 #/FT	1750 #/FT 50 PSF
25'-0"	800 #/FT	1750 #/FT 55 PSF
30'-0"	800 #/FT	1750 #/FT 60 PSF
35'-0"	800 #/FT	1800 #/FT 65 PSF
40'-0"	800 #/FT	1800 #/FT 70 PSF
45'-0"	800 #/FT	1800 #/FT 75 PSF
50'-0"	800 #/FT	1800 #/FT 75 PSF
55'-0"	800 #/FT	1800 #/FT 75 PSF
60'-0"	800 #/FT	1800 #/FT 75 PSF
65'-0"	800 #/FT	1800 #/FT 75 PSF
70'-0"	800 #/FT	1800 #/FT 75 PSF
OR <	800 #/FT	1800 #/FT 75 PSF



NOTE: FOR LOADS ON STRUCTURES FOR WIND PRESSURES LESS THAN 75 PSF, VALUES IN THE TABLE WERE OBTAINED BY THE FOLLOWING FORMULA:

VALUE FROM TABLE X PRESSURE DESIRED / MAX. WIND PRESSURE SHOWN FOR THE SPECIFIC LENGTH SPANS GREATER THAN 17'-2" ARE BASED ON RATIONAL ANALYSIS

DAVID G. KARPINS  
 LICENSE NO. 00826777  
 STATE OF FLORIDA  
 PROFESSIONAL ENGINEER

Kumar Group, Inc.  
 11, One of a Kind, 3000  
 3175th Ave. S.W.  
 Suite 100  
 Palm Bay, FL 32909  
 Phone: 321-733-1111  
 Fax: 321-733-1112  
 Email: info@kumargroup.com

Project Name: CUSTOM HURRICANE PRODUCTS "SUPER MAX" SCREEN  
 Title: GAT  
 Date: 2013-08-12  
 See SHEET 1003S-1097  
 2013-08-12

MAY 28 2013